

# Pendulum Limited Partners



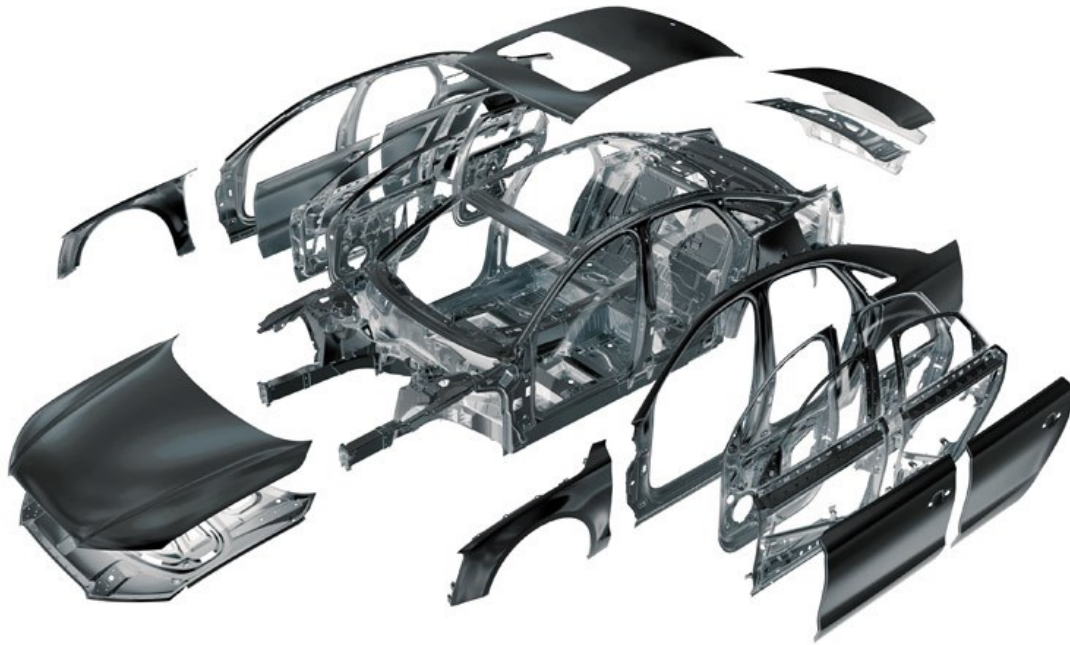
Venture Capital Investment Banker Partners – Manufactured Component Part Patent Investors



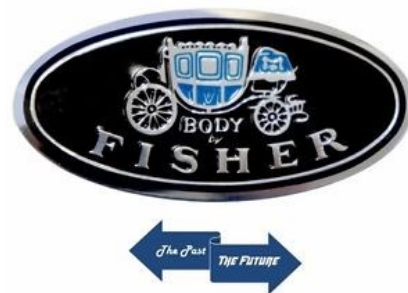
## MERGERS & ACQUISITIONS



**Aluminum Auto Body Parts Fabrication Corporation Mergers & Acquisition**

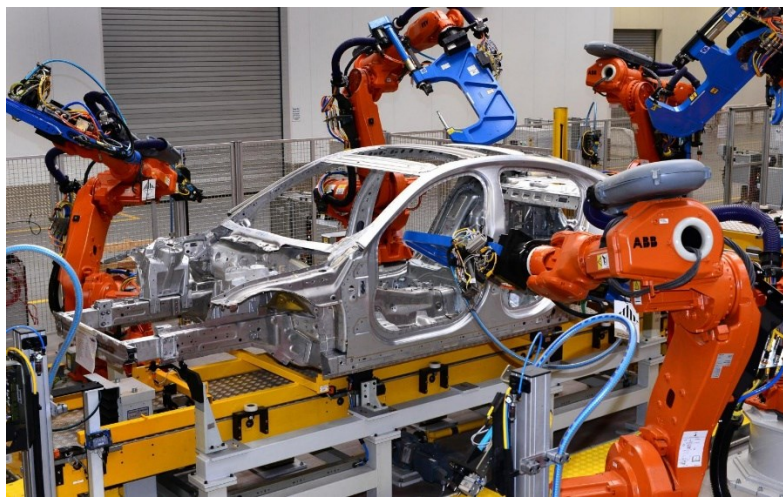


**Pendulum Limited Partners establishing an International Auto Body Parts Manufacturer**



**Auto Body Aluminum Fabrication Plant**





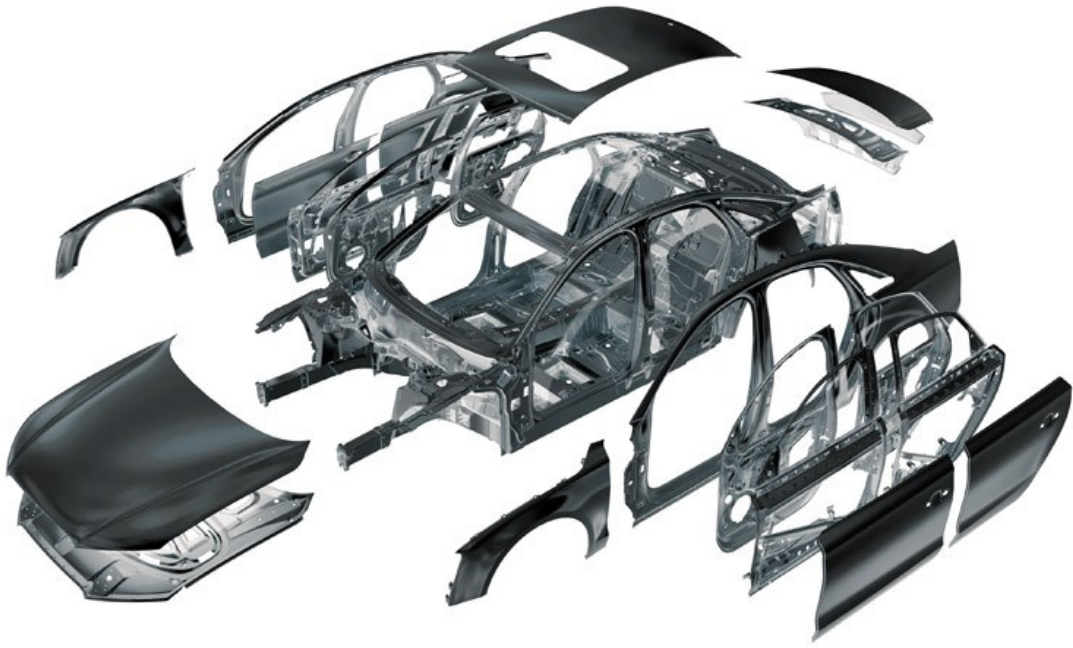


**Aluminum Auto Body Stamping / Fabrication Press Unit**



**Aluminum Auto Body Stamping / Fabrication Press Unit**

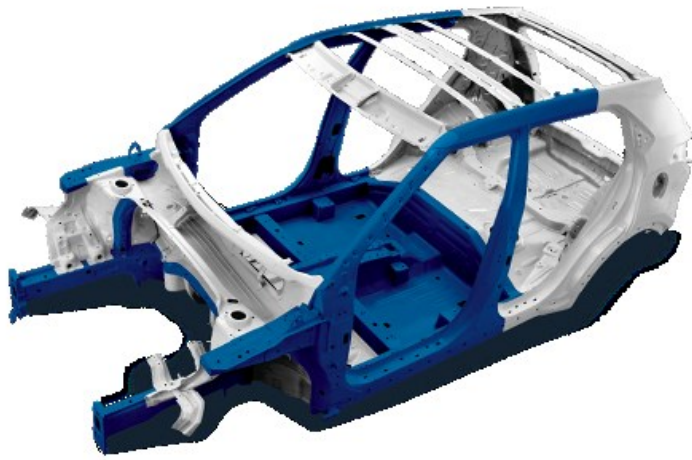




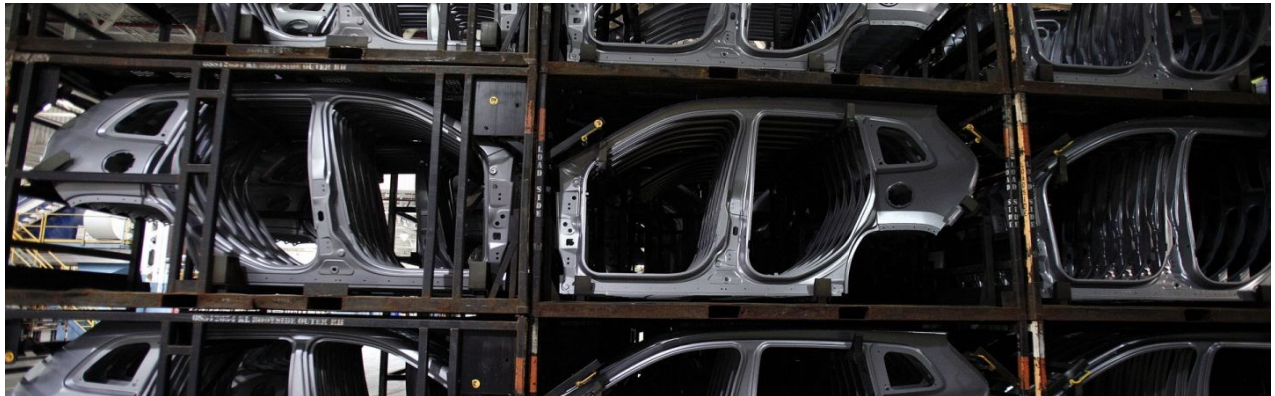
**Audi A8 Awarding Winning Euro Car Body Intelligent Lightweight Design**



**Potential Aluminum Oxy Nitride Impenetrable Auto Door Inter Panel**



[www.CaribbeanPremiumMotors.com](http://www.CaribbeanPremiumMotors.com)



**Fiat Chrysler Auto Carriage Body Parts Plant Michigan**





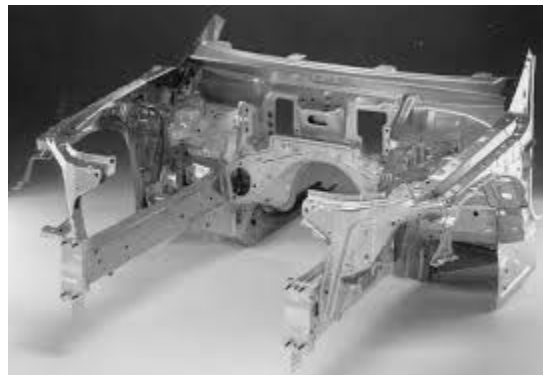
**Audi Chassis Carriage Auto Body Plant**



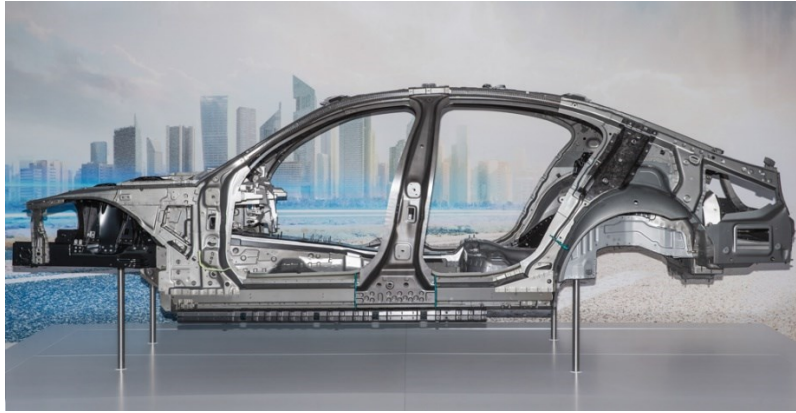
**Aluminum Chassis Carriage Door Case**



**ZEXT Company – Manufacturer of Car Body Parts**

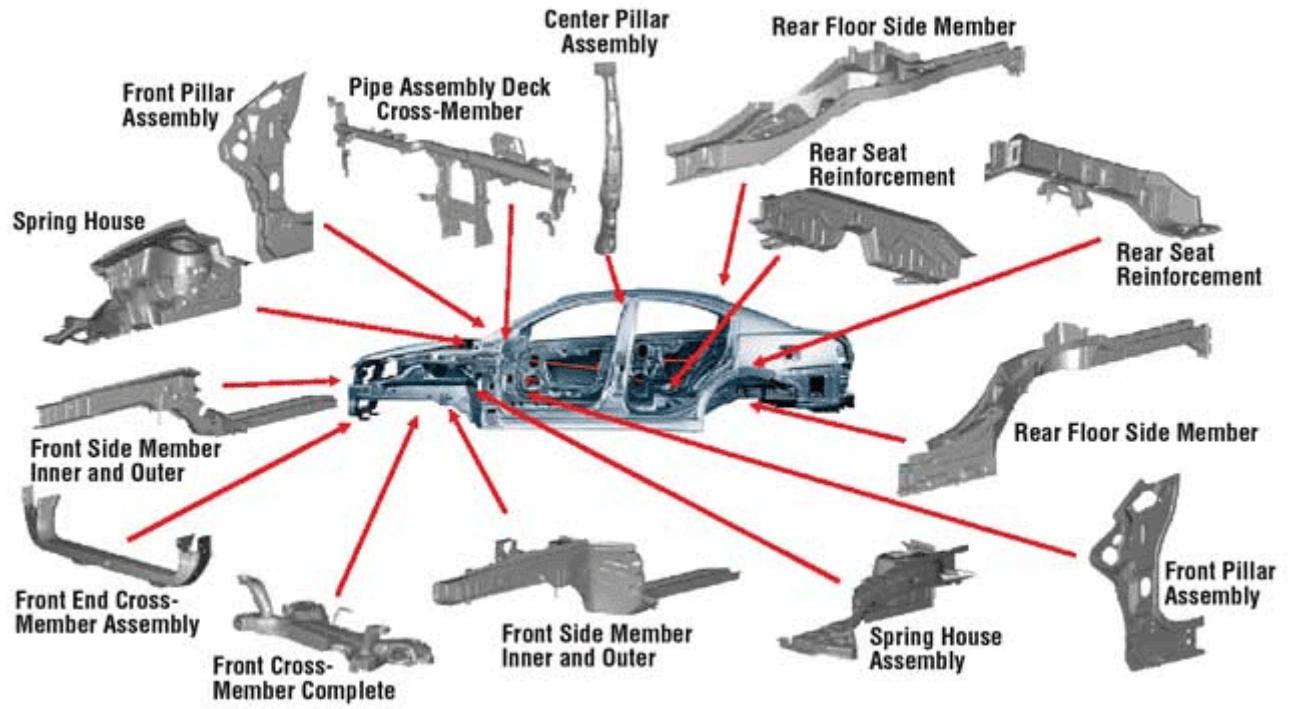


**Aluminum Light Weight Auto Body**



**BMW Aluminum Chassis Carriage**





# CARIBBEAN PREMIUM MOTORS LTD.

---

Utility Drive,  
St. John's  
Antigua

Email: [contact@caribbeanpremiummotors.com](mailto:contact@caribbeanpremiummotors.com)

Tel: (268) 481-2600/2

Tel: (268) 481-2611/5

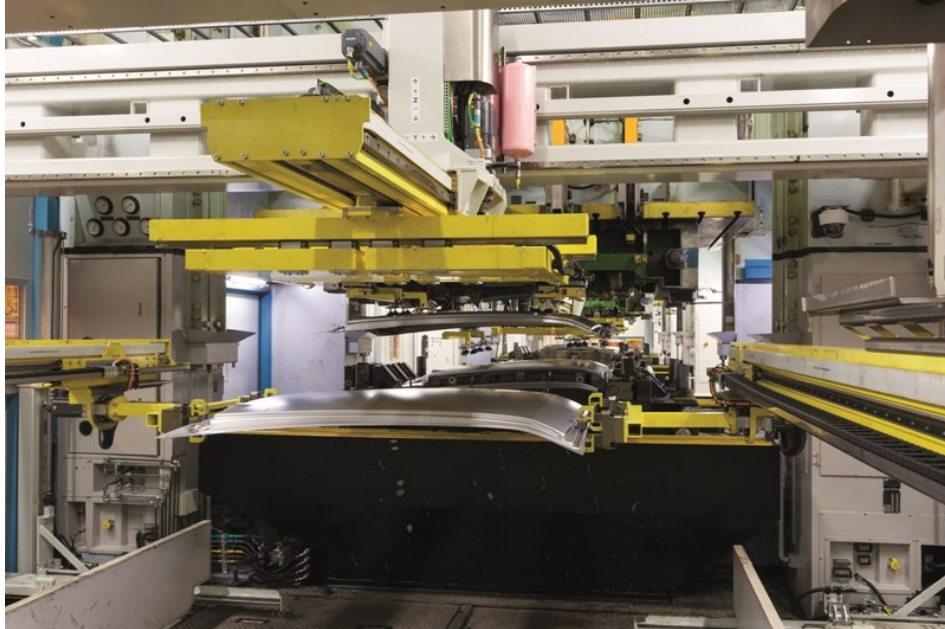
Service Center: (268) 481-2612

Fax: (268) 481-2603

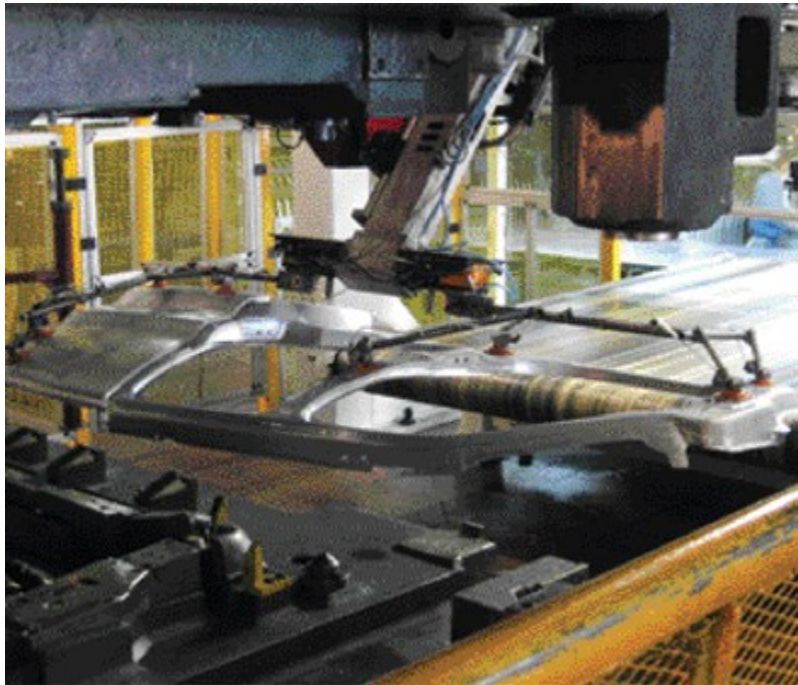




**GM Auto Aluminum Body Fabrication / Stamping Plant**



**Auto Aluminum Roof Stamping / Fabrication Plant**



**Auto Aluminum Door Stamping / Fabrication Plant**



**Auto Chassis Carriage Assembly Plant**

**The Auto Chassis Carriage Component Assembly Line must be in the same location as the Automobile Assembly Plant, unlike other component of the Car that can be shipped to the Plant.**



**Nissan Aguascalientes Mexico Auto Assembly Plant**